

8

7

6

5

4

3

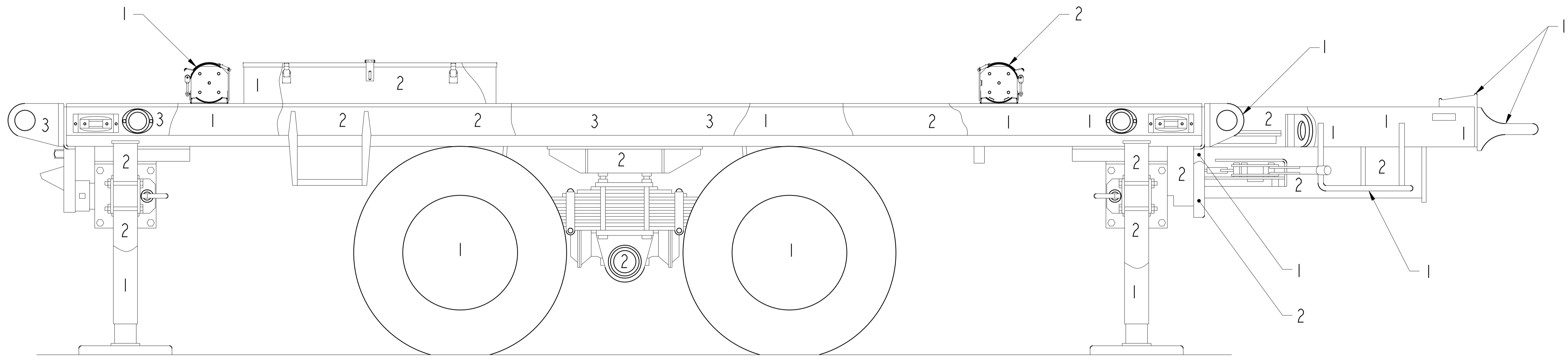
2

1

SHEETS						STATUS OF REVISIONS			
6	5	4	3	2	ZONE	LTR	DESCRIPTION	DATE	APPROVED
							CAD MAINTAINED. CHANGES SHALL BE INCORPORATED BY THE DESIGN ACTIVITY.		

NOTES:

1. CAMOUFLAGE PAINTING SHALL BE IN ACCORDANCE WITH MIL-DTL-53072 UNLESS OTHERWISE SPECIFIED BY THE PROCURING AGENCY.
2. ANY REVISION TO THIS CAMOUFLAGE PATTERN MUST BE APPROVED BY CAMOUFLAGE APPLICATIONS TEAM, US ARMY NIGHT VISION DIRECTORATE, ATTN: AMSEL-LC-IEW-E-CE
3. MAINTENANCE AND ACCURACY OF THIS OBJECT OUTLINE IS THE RESPONSIBILITY OF THIS ITEM'S MAJOR SUBORDINATE COMMAND.



RIGHT SIDE VIEW

WARNING

TREAT AND PAINT EXTERNAL HIGH TEMPERATURE SURFACES (400 °F) IN ACCORDANCE WITH MIL-P-14105

DISTRIBUTION STATEMENT A.
APPROVED FOR PUBLIC RELEASE;
DISTRIBUTION IS UNLIMITED.

COLOR CODES			
NO.	STANDARD	DESERT	WINTER/SNOW
1	BLACK	TAN 686	BLACK
2	GREEN 383	TAN 686	WHITE
3	BROWN 383	TAN 686	BROWN 383

UNLESS OTHERWISE SPECIFIED DIM/TOLERANCES ARE: mm - JN.	
ONE PLACE (.X) ±	THIRD ANGLE PROJECTION
TWO PLACE (.XX) ±	
THREE PLACE (.XXX) ±	
FOR INTERPRETATION OF DRAWING ASME Y14.100-2004 APPLIES	
REMOVE BURRS AND BREAK SHARP EDGES	SHARP EDGES TO FILLET RADIUS
MATERIAL	

DRAWN BY J. PARKER	DATE 11-04-20
CHECKED BY J. DOLPH	DATE 11-04-27
CONTRACT NO. W56HZV-09-A-A902	DESIGN APPROVAL (REQUIRED)
DATE YY-MM-DD	APPROVED FOR PROCUREMENT (REQUIRED)
DATE YY-MM-DD	

U.S. ARMY TANK AUTOMOTIVE & ARMAMENTS COMMAND WARREN, MICHIGAN 48397-5000		
US/GE STANDARDIZED CAMOUFLAGE PATTERN PAINTING FOR		
TRAILER, 5 TON, MI061A1		
SIZE A1	CAGE CODE 19207	DWG NO. 12489337
SCALE NONE	SHEET 1 OF 6	

8

7

6

5

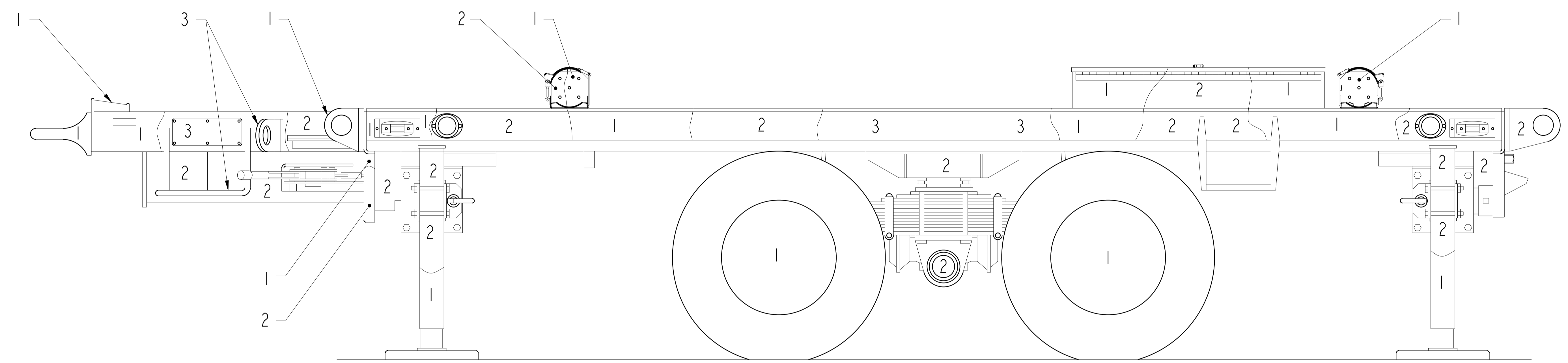
4

3

2

1

SHEETS						STATUS OF REVISIONS			
6	5	4	3	2	ZONE	LTR	DESCRIPTION	DATE	APPROVED
							CAD MAINTAINED. CHANGES SHALL BE INCORPORATED BY THE DESIGN ACTIVITY.		



LEFT SIDE VIEW

DISTRIBUTION STATEMENT A.
APPROVED FOR PUBLIC RELEASE;
DISTRIBUTION IS UNLIMITED.

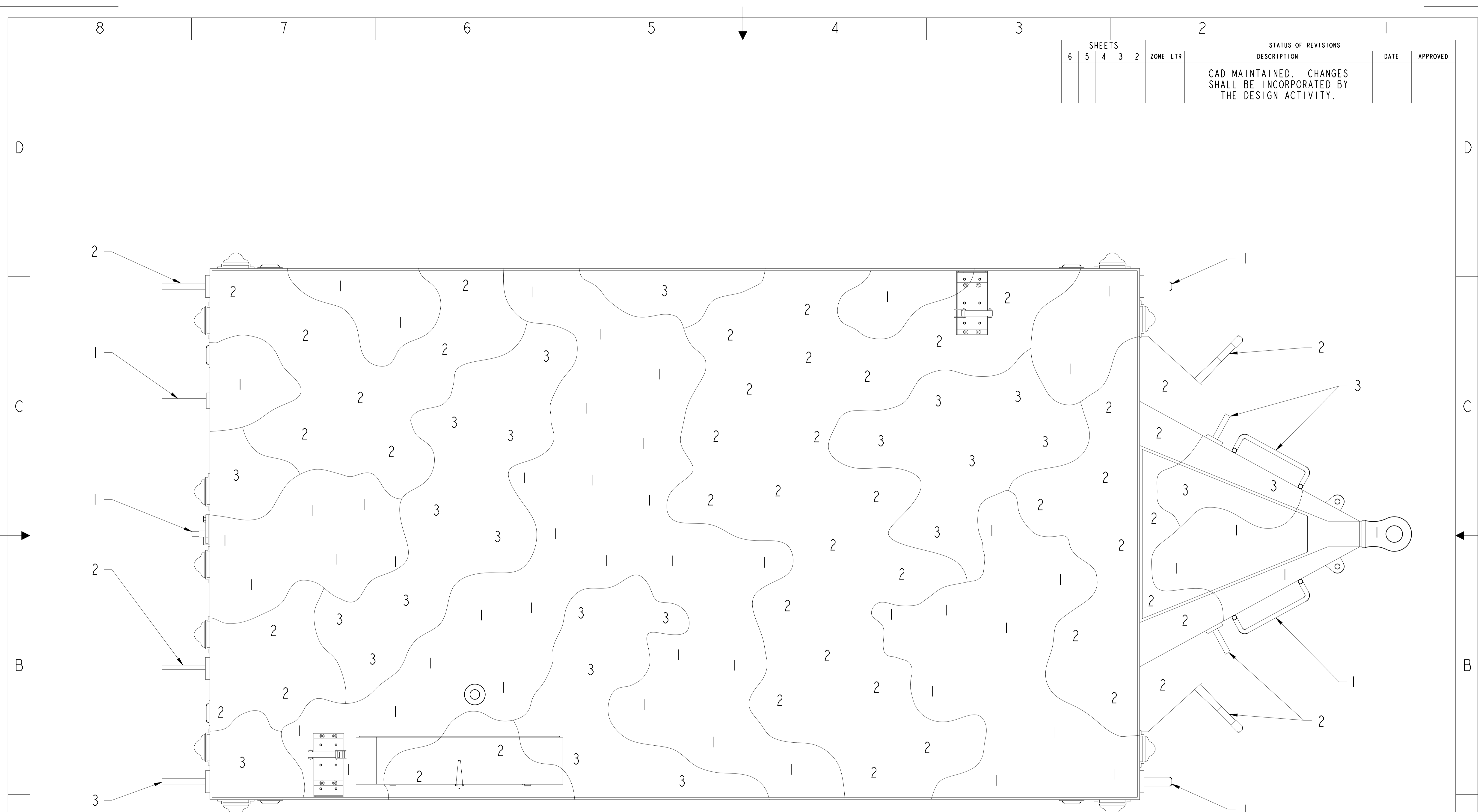
COLOR CODES			
NO.	STANDARD	DESERT	WINTER/SNOW
1	BLACK	TAN 686	BLACK
2	GREEN 383	TAN 686	WHITE
3	BROWN 383	TAN 686	BROWN 383

UNLESS OTHERWISE SPECIFIED DIM/TOLERANCES ARE: mm - JN.
 ONE PLACE (.X) ±
 TWO PLACE (.XX) ±
 THREE PLACE (.XXX) ±
 ANGLES ±
 THIRD ANGLE PROJECTION
 FOR INTERPRETATION OF DRAWING ASME Y14.100-2004 APPLIES
 REMOVE BURRS AND BREAK SHARP EDGES TO SHARP EDGES TO FILLET RADIUS TO
 MATERIAL

DRAWN BY J. PARKER DATE 11-04-20
 CHECKED BY J. DOLPH 11-04-27
 CONTRACT NO. 2R341
 W56HZV-09-A-A902
 DESIGN APPROVAL (REQUIRED)
 DATE YY-MM-DD
 APPROVED FOR PROCUREMENT (REQUIRED)
 DATE YY-MM-DD

U.S. ARMY
 TANK AUTOMOTIVE & ARMAMENTS COMMAND
 WARREN, MICHIGAN 48397-5000
 US/GE STANDARDIZED CAMOUFLAGE PATTERN PAINTING FOR
 TRAILER, 5 TON,
 M1061A1
 SIZE A1 CAGE CODE 19207 DWG NO. 12489337
 SCALE NONE SHEET 2

SHEETS						STATUS OF REVISIONS			
6	5	4	3	2	ZONE	LTR	DESCRIPTION	DATE	APPROVED
							CAD MAINTAINED. CHANGES SHALL BE INCORPORATED BY THE DESIGN ACTIVITY.		



TOP VIEW

DISTRIBUTION STATEMENT A.
APPROVED FOR PUBLIC RELEASE;
DISTRIBUTION IS UNLIMITED.

COLOR CODES			
NO.	STANDARD	DESERT	WINTER/SNOW
1	BLACK	TAN 686	BLACK
2	GREEN 383	TAN 686	WHITE
3	BROWN 383	TAN 686	BROWN 383

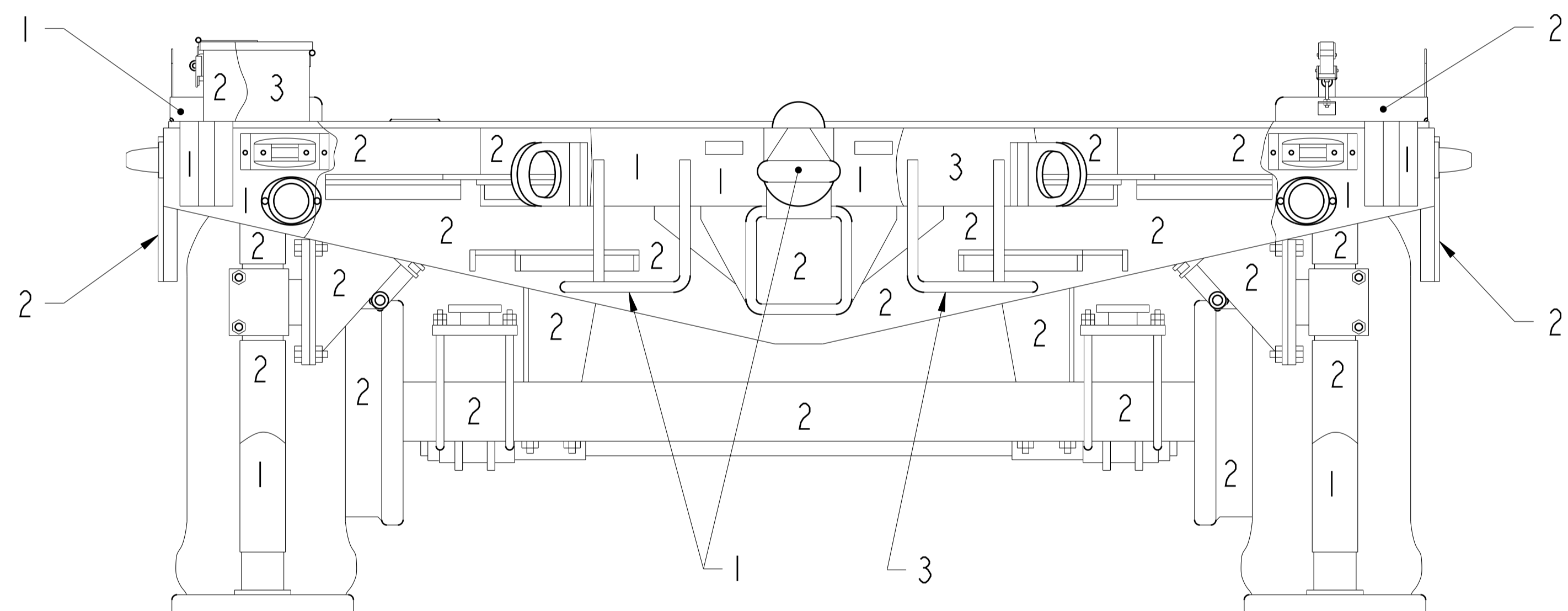
UNLESS OTHERWISE SPECIFIED DIM/TOLERANCES ARE: mm - JN.
 ONE PLACE (.X) ±
 TWO PLACE (.XX) ±
 THREE PLACE (.XXX) ±
 ANGLES ±
 THIRD ANGLE PROJECTION
 FOR INTERPRETATION OF DRAWING ASME Y14.100-2004 APPLIES
 REMOVE BURRS AND BREAK SHARP EDGES
 SHARP EDGES TO FILLET RADIUS TO

DRAWN BY J. PARKER
 CHECKED BY J. DOLPH
 CONTRACT NO. 2R341
 W56HZV-09-A-A902
 DESIGN APPROVAL (REQUIRED)
 DATE YY-MM-DD
 APPROVED FOR PROCUREMENT (REQUIRED)
 DATE YY-MM-DD

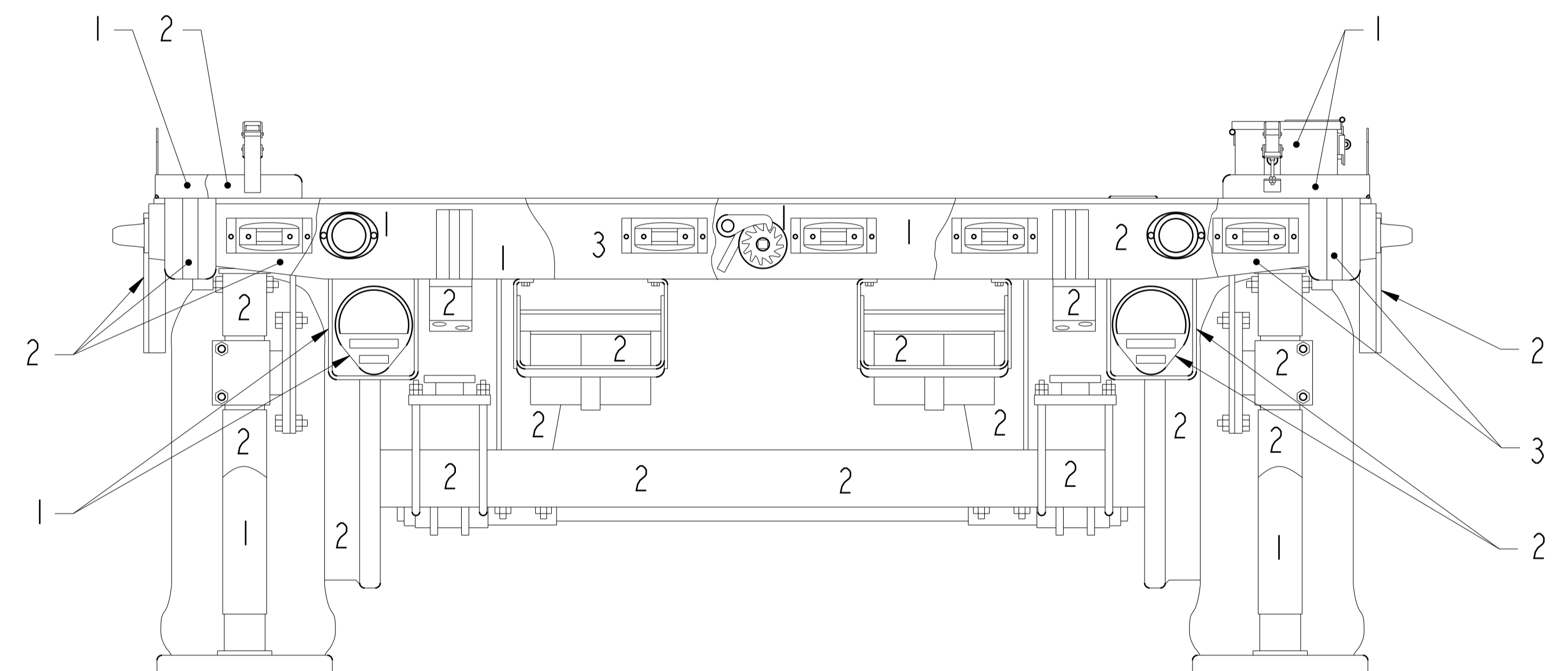
U.S. ARMY
 TANK AUTOMOTIVE & ARMAMENTS COMMAND
 WARREN, MICHIGAN 48397-5000
 US/GE STANDARDIZED CAMOUFLAGE PATTERN PAINTING FOR
 TRAILER, 5 TON, M106IA1
 SIZE A1
 CAGE CODE 19207
 DWG NO. 12489337
 SCALE NONE
 SHEET 3

8 7 6 5 4 3 2 1

SHEETS						STATUS OF REVISIONS			
6	5	4	3	2	ZONE	LTR	DESCRIPTION	DATE	APPROVED
							CAD MAINTAINED. CHANGES SHALL BE INCORPORATED BY THE DESIGN ACTIVITY.		



FRONT VIEW



REAR VIEW

DISTRIBUTION STATEMENT A.
APPROVED FOR PUBLIC RELEASE;
DISTRIBUTION IS UNLIMITED.

COLOR CODES			
NO.	STANDARD	DESERT	WINTER/SNOW
1	BLACK	TAN 686	BLACK
2	GREEN 383	TAN 686	WHITE
3	BROWN 383	TAN 686	BROWN 383

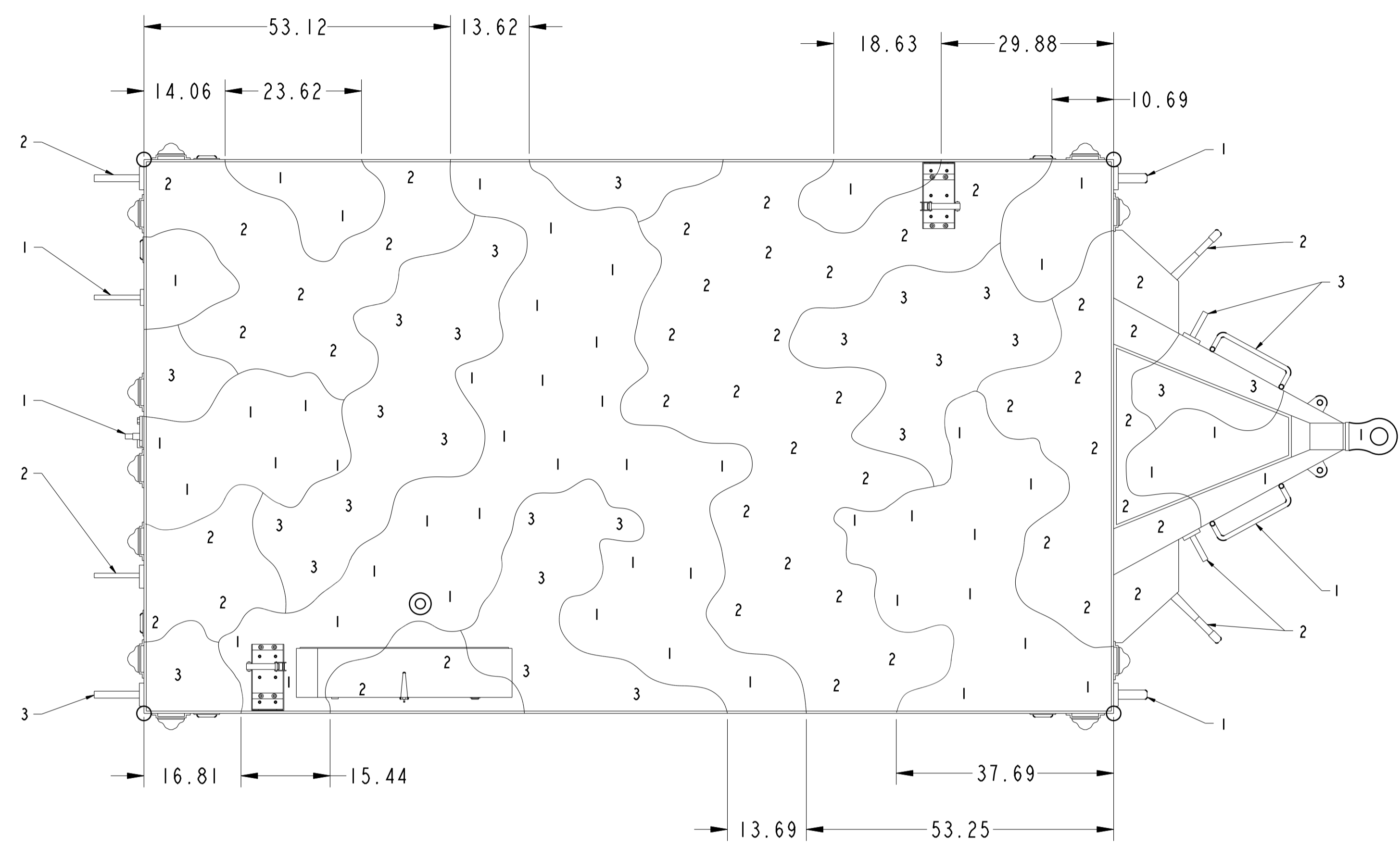
UNLESS OTHERWISE SPECIFIED DIM/TOLERANCES ARE: mm - JN.		
ONE PLACE (.X) ±	THIRD ANGLE PROJECTION	DRAWN BY J. PARKER
TWO PLACE (.XX) ±		CHECKED BY J. DOLPH
THREE PLACE (.XXX) ±		DATE 11-04-20
FOR INTERPRETATION OF DRAWING ASME Y14.100-2004 APPLIES		
REMOVE BURRS AND BREAK SHARP EDGES	SHARP EDGES TO FILLET RADIUS	CONTRACT NO. 2R341
MATERIAL		DESIGN APPROVAL (REQUIRED)
		DATE YY-MM-DD
		APPROVED FOR PROCUREMENT (REQUIRED)
		DATE YY-MM-DD

U.S. ARMY TANK AUTOMOTIVE & ARMAMENTS COMMAND WARREN, MICHIGAN 48397-5000		
US/GE STANDARDIZED CAMOUFLAGE PATTERN PAINTING FOR		
TRAILER, 5 TON, M1061A1		
SIZE A1	CAGE CODE 19207	DWG NO. 12489337
SCALE NONE	SHEET 4	

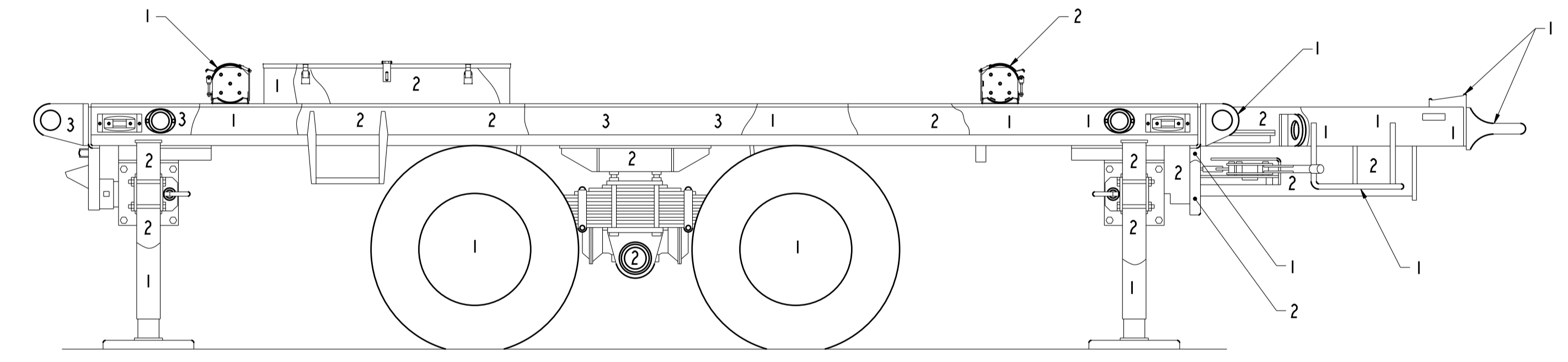
8 7 6 5 4 3 2 1

- INSPECTION NOTES:
1. THIS SHEET TO BE USED FOR INSPECTION ONLY.
 2. ALL DIMENSIONS ARE IN INCHES.
 3. ○ DENOTES A LOCATION ON THE ITEM THAT IS USED AS A REFERENCE POINT. THE DISTANCE FROM THIS REFERENCE POINT TO THE EDGE OF THE BLACK BAND IS THE LOCATING DIMENSION. TOLERANCE ON THIS DIMENSION IS ± 1.00 INCH.
 4. THE HORIZONTAL DISTANCE ACROSS A BLACK BAND IS THE BAND WIDTH. IF THIS DIMENSION IS SHOWN, THE TOLERANCE IS ± 1.00 INCH.
 5. △ LOCATES A PHYSICAL FEATURE THAT THE PATTERN CONTOUR INTERSECTS WITHIN ± 1.00 INCH. NO LOCATING DIMENSION IS REQUIRED.
 6. INSPECTION OF THE CAMOUFLAGE PATTERN WILL CONSIST OF CHECKING ALL LOCATING DIMENSIONS AND BAND WIDTHS SHOWN ON INSPECTION SHEET AS A MINIMUM. ALTERNATE OR ADDITIONAL REFERENCE POINTS, LOCATING DIMENSIONS AND BAND WIDTHS MAY BE INCLUDED IN THE INSPECTION. DIMENSIONS WILL BE DEVELOPED BY SCALING FROM PATTERN DRAWINGS. DO NOT USE INSPECTION SHEET TO DEVELOP DIMENSIONS. THE TOLERANCE FOR ALL DEVELOPED DIMENSIONS WILL BE ± 1.00 INCH.

SHEETS						STATUS OF REVISIONS			
6	5	4	3	2	ZONE	LTR	DESCRIPTION	DATE	APPROVED
							CAD MAINTAINED. CHANGES SHALL BE INCORPORATED BY THE DESIGN ACTIVITY.		



TOP VIEW



RIGHT SIDE VIEW

DISTRIBUTION STATEMENT A.
APPROVED FOR PUBLIC RELEASE;
DISTRIBUTION IS UNLIMITED.

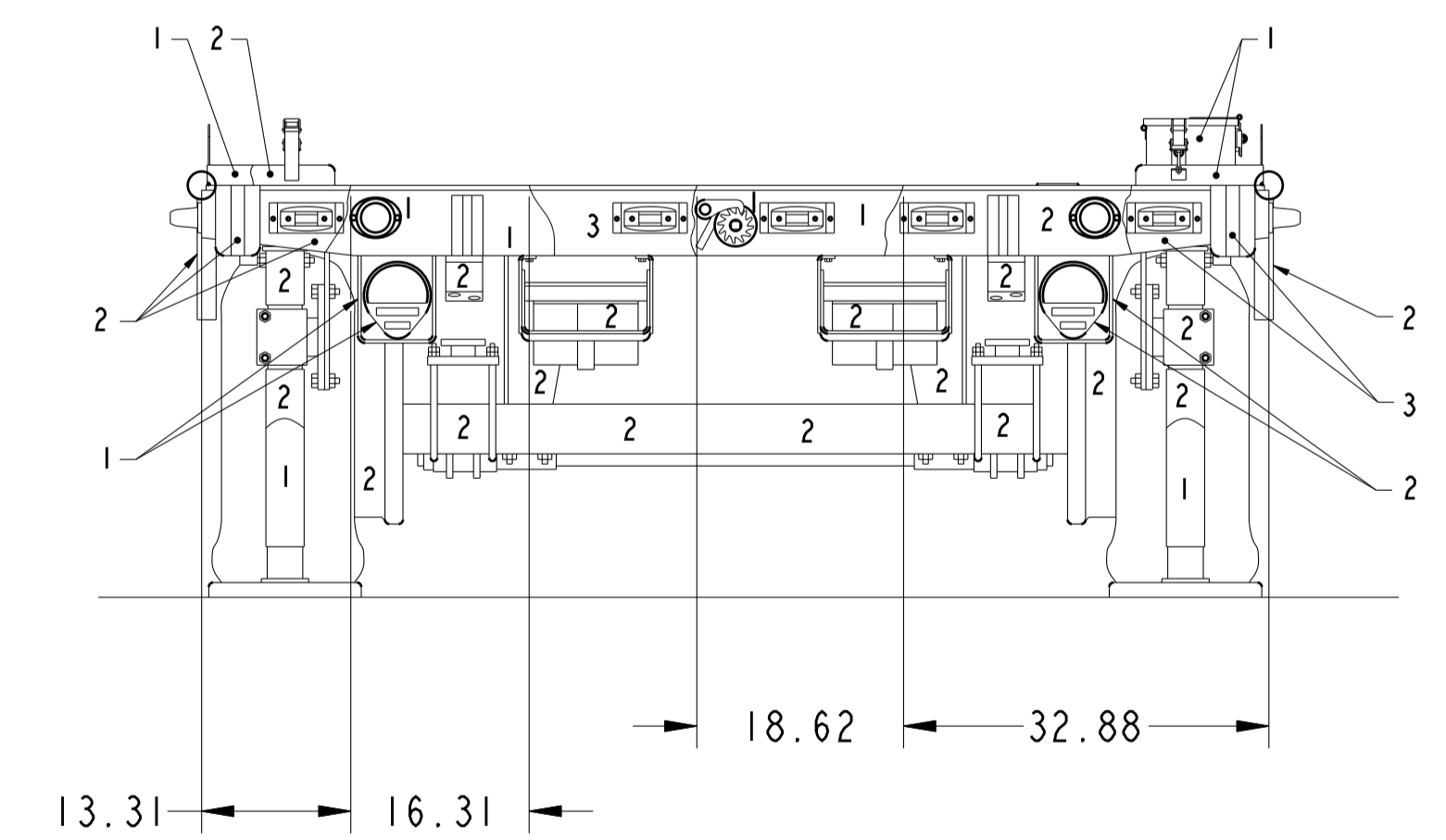
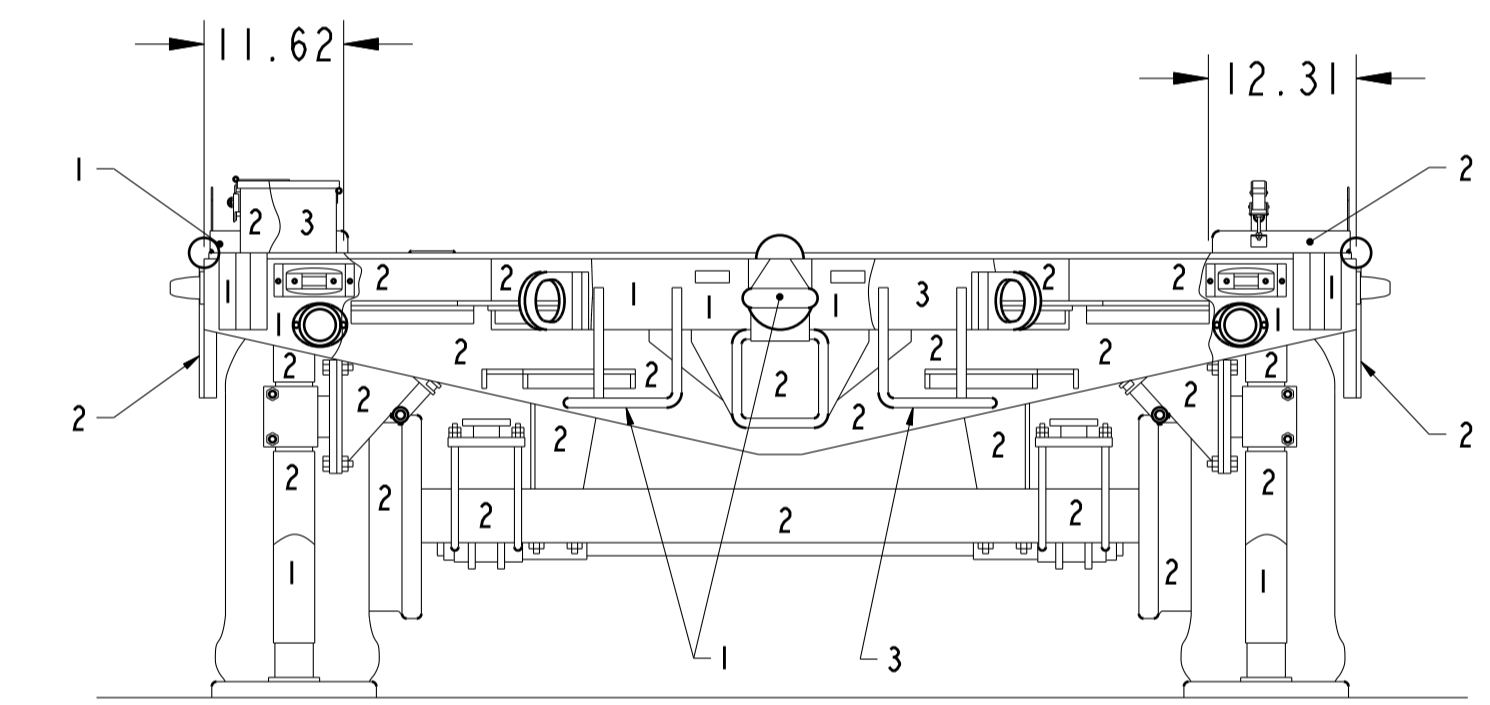
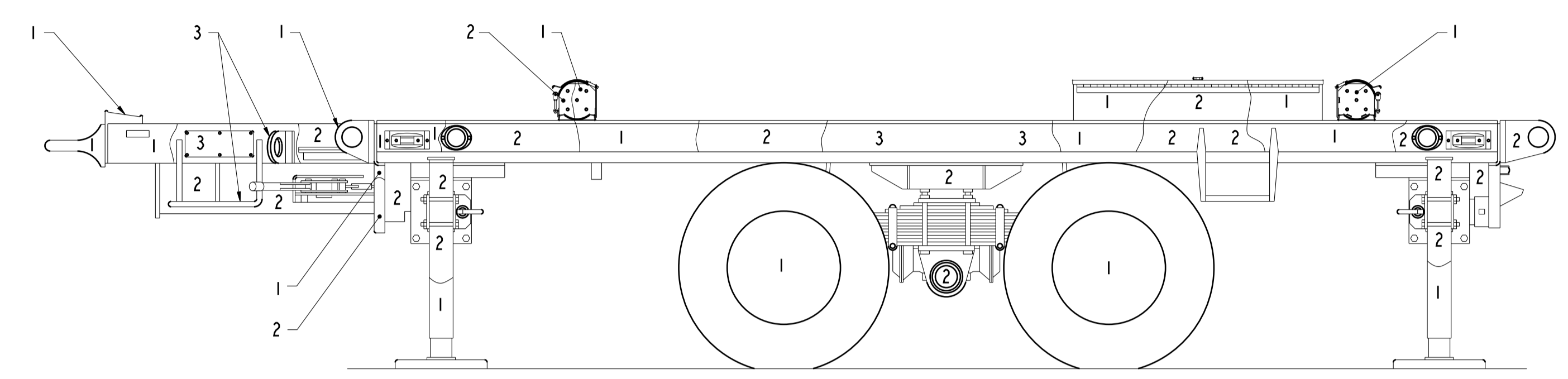
COLOR CODES			
NO.	STANDARD	DESERT	WINTER/SNOW
1	BLACK	TAN 686	BLACK
2	GREEN 383	TAN 686	WHITE
3	BROWN 383	TAN 686	BROWN 383

INSPECTION SHEET

UNLESS OTHERWISE SPECIFIED DIM/TOLERANCES ARE: mm IN.

ONE PLACE (.X) ±	THIRD ANGLE PROJECTION	DRAWN BY J. PARKER	DATE 11-04-20	U.S. ARMY TANK AUTOMOTIVE & ARMAMENTS COMMAND WARREN, MICHIGAN 48397-5000 US/GE STANDARDIZED CAMOUFLAGE PATTERN PAINTING FOR TRAILER, 5 TON, MI061A1
TWO PLACE (.XX) ±		CHECKED BY J. DOLPH	11-04-27	
THREE PLACE (.XXX) ±		CONTRACT NO. W56HZV-09-A-A902	2R341	
ANGLES ±		DESIGN APPROVAL (REQUIRED)	DATE YY-MM-DD	
FOR INTERPRETATION OF DRAWING ASME Y14.100-2004 APPLIES	REMOVE BURRS AND BREAK SHARP EDGES	SHARP EDGES TO FILLET RADIUS	APPROVED FOR PROCUREMENT (REQUIRED)	DATE YY-MM-DD
MATERIAL			SIZE A1	CAGE CODE 19207
			SCALE NONE	DWG NO. 12489337
				SHEET 5

SHEETS						STATUS OF REVISIONS			
6	5	4	3	2	ZONE	LTR	DESCRIPTION	DATE	APPROVED
							CAD MAINTAINED. CHANGES SHALL BE INCORPORATED BY THE DESIGN ACTIVITY.		



DISTRIBUTION STATEMENT A.
APPROVED FOR PUBLIC RELEASE;
DISTRIBUTION IS UNLIMITED.

COLOR CODES			
NO.	STANDARD	DESERT	WINTER/SNOW
1	BLACK	TAN 686	BLACK
2	GREEN 383	TAN 686	WHITE
3	BROWN 383	TAN 686	BROWN 383

INSPECTION SHEET				U.S. ARMY TANK AUTOMOTIVE & ARMAMENTS COMMAND WARREN, MICHIGAN 48397-5000		
UNLESS OTHERWISE SPECIFIED DIM/TOLERANCES ARE: mm ± IN.	DRAWN BY J. PARKER	DATE 11-04-20	THIRD ANGLE PROJECTION	US/GE STANDARDIZED CAMOUFLAGE PATTERN PAINTING FOR		
ONE PLACE (.X) ± TWO PLACE (.XX) ± THREE PLACE (.XXX) ± ANGLES ±	CHECKED BY J. DOLPH	11-04-27		TRAILER, 5 TON, M1061A1		
FOR INTERPRETATION OF DRAWING ASME Y14.100-2004 APPLIES	CONTRACT NO. W56HZV-09-A-A902	DESIGN APPROVAL (REQUIRED)	DATE YY-MM-DD	SIZE A1	CAGE CODE 19207	DWG NO. 12489337
REMOVE BURRS AND BREAK SHARP EDGES	SHARP EDGES TO FILLET RADIUS TO	APPROVED FOR PROCUREMENT (REQUIRED)	DATE YY-MM-DD	SCALE NONE	SHEET 6	